



HHC-HH290Z

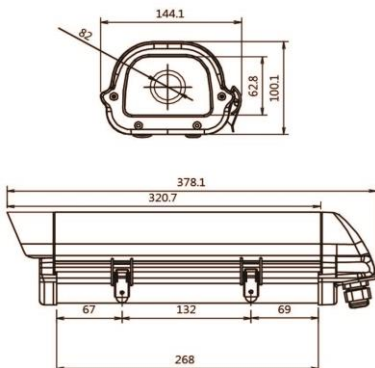
HD ANALOG 1080P / **Optical x4 Zoom**

CMOS COLOR IR HOUSING CAMERA

FEATURES

- 1/2.9" 2.1Megapixel SONY Exmor CMOS
- 1080P AHD, TVI & CVBS Solution
- Min. Illumination of 0.0005Lux
- True Day & Night
- Defog(Visibility enhancement on the low contrast scene)
- 2D & 3D Digital Noise Reduction
- Motion Detection, Privacy Masking (4 Zone)
- 90pcs IR LED(90m)
- DC Varifocal Motorized ICR Lens f=2.7~12.0mm
- IP66 Weatherproof
- Option : OSD Controller

DIMENSION



CAMERA SPECIFICATIONS

Signal Format	NTSC/PAL
Image Sensor	1/2.9" 2.1Mega pixel SONY Exmor CMOS
Effective Pixels	1984(H) x 1105(V)
Scanning System	Progressive Scan
Resolution	HD Analog : 1920 x1080p
	Analog : 1280H
Min. Illumination	Color : 0.1 lux, 0.001Lux(Sense-up x30)
	B/W : 0.08 lux, 0.0005 Lux(Sense-up x30)
Electronic Shutter Speed	AUTO / FLK
	NTSC : 1/30~1/60,000sec PAL : 1/25~1/50,000sec
S/N Ratio	More than 52dB (AGC off)
Backlight Compensation	BLC / HSBLC
White Balance	ATW / AWC-SET / INDOOR / OUTDOOR / MANUAL / AWB
2D + 3D DNR	OFF / LOW / MIDDLE / HIGH
Day & Night	AUTO / COLOR / BW / EXT
Sense-up	Auto(x6) / x2 / x4 / x6 / x8 / x10 / x15 / x20 / x25 / x30
D-WDR	ON / OFF
Motion Detection	ON / OFF
Privacy Masking	4 Zone
Defog	ON / OFF
D-EFFECT	OFF / MIRROR / V-FLIP / ROTATE & FREEZE
Communication	Coaxial Comm..
Lens	DC Varifocal Motorized ICR Lens f=2.7~12.0mm
Power Supply	DC 12V ±30%
Power Consumption	Max. 7.2W
Operating Temperature	-10°C ~ +50°C (Humidity : 0%RH ~ 90%RH)
Dimension	141.1(W) x 100.1(H) x 378.1(D)mm
Weight	Approx. 1.45kg(W/Sunshield & Bracket)